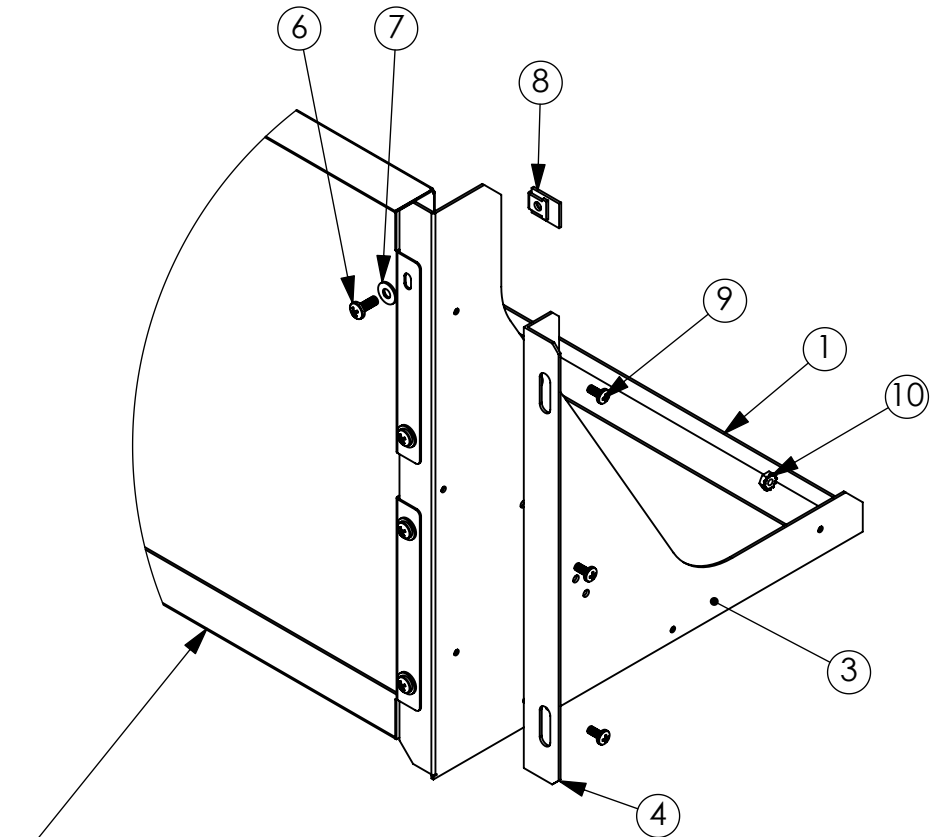
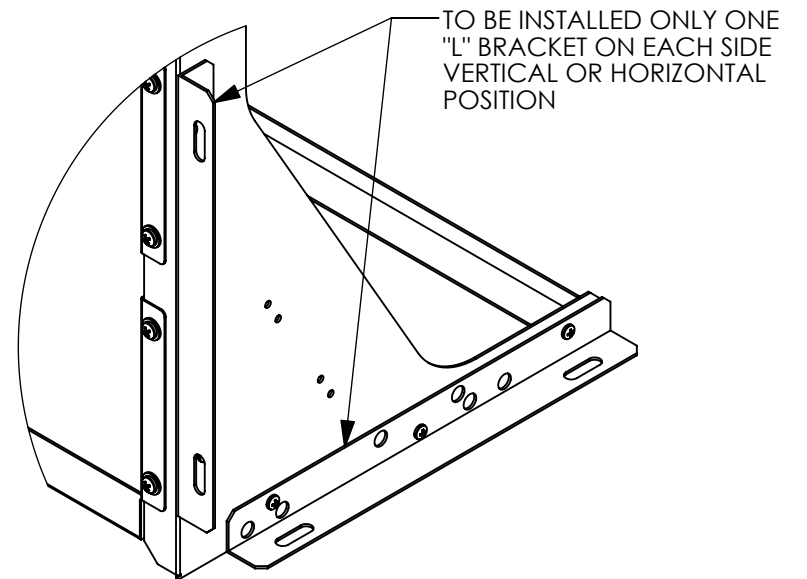


ITEM NO.	QTY.	PART NO.	DESCRIPTION
1	1	49-2778-00	BOTTOM BRACKET FOR 19IN LCD FRAME
3	1	49-2777-00	RIGHT SIDE BRACKET FOR 19IN LCD FRAME
4	2	49-5023-00	BRACKET WITH SLOTS FOR MONITOR 19" VGA & CGA
5	1	49-2779-00	LEFT SIDE BRACKET FOR 19IN LCD FRAME
6	8	43-0179-00	SCREW, #10-32 x 1/2 PH PN HD
7	8	43-0995-00	#10 FLAT WASHER
8	8	49-2759-00	CLAMP FOR LCD FRAME
9	6	43-1319-00	SCREW 8-32 X 3/8 PPHMS ZINC
10	2	42-0082 00	NUT, KEPS 8-32



19" LCD SOLD SEPARATE  
THIS ITEM IS FOR REPRESENTATION ONLY



TO BE INSTALLED ONLY ONE  
"L" BRACKET ON EACH SIDE  
VERTICAL OR HORIZONTAL  
POSITION

INS-0160  
INSTRUCTION SHEET FOR 49-2776-00  
19" LCD REPLACEMENT KIT FOR CRT FRAME

1

2

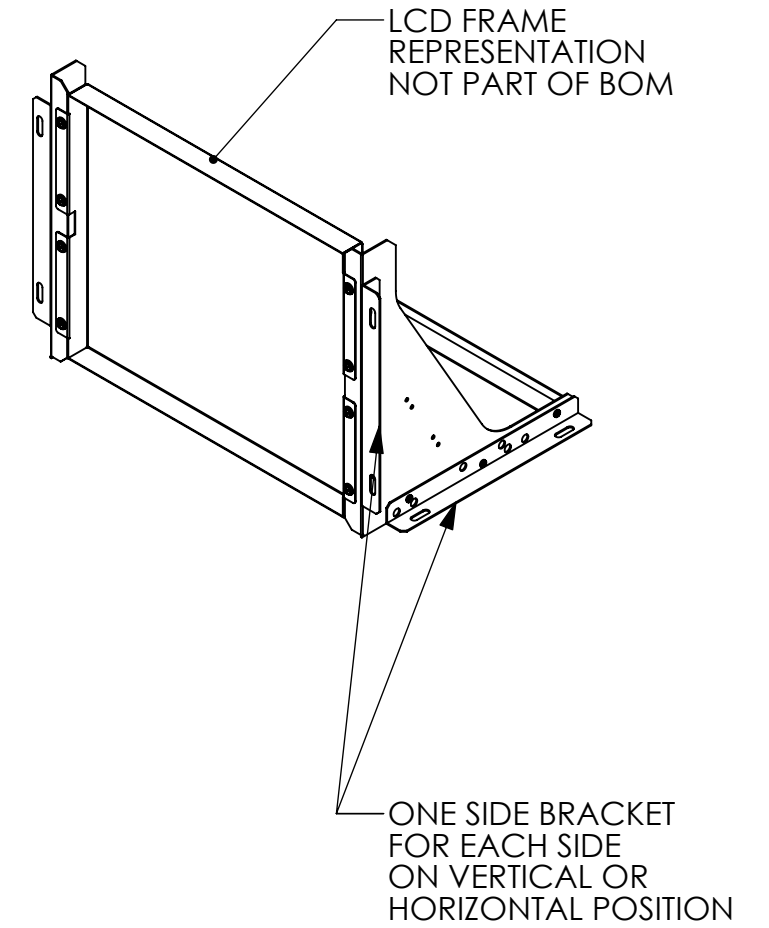
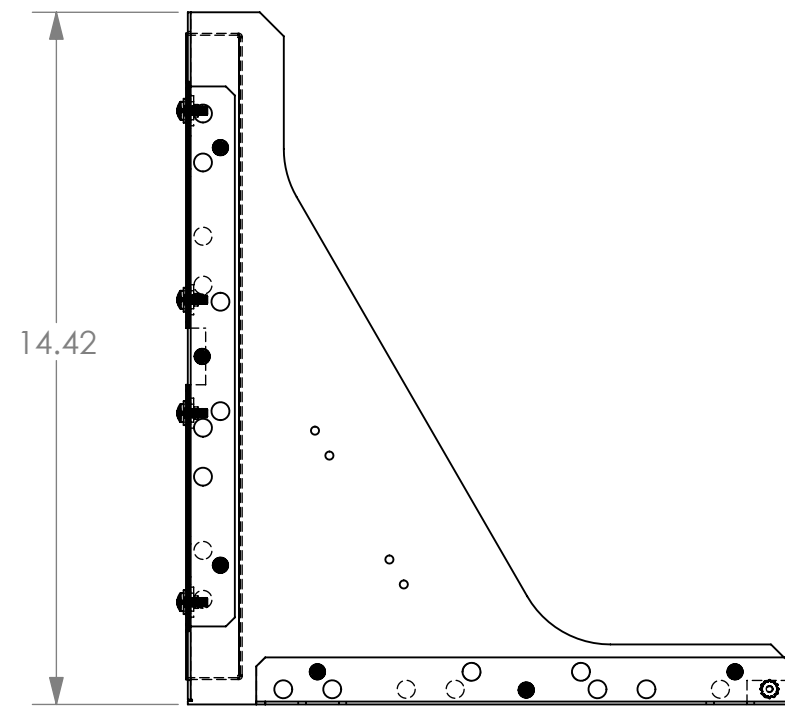
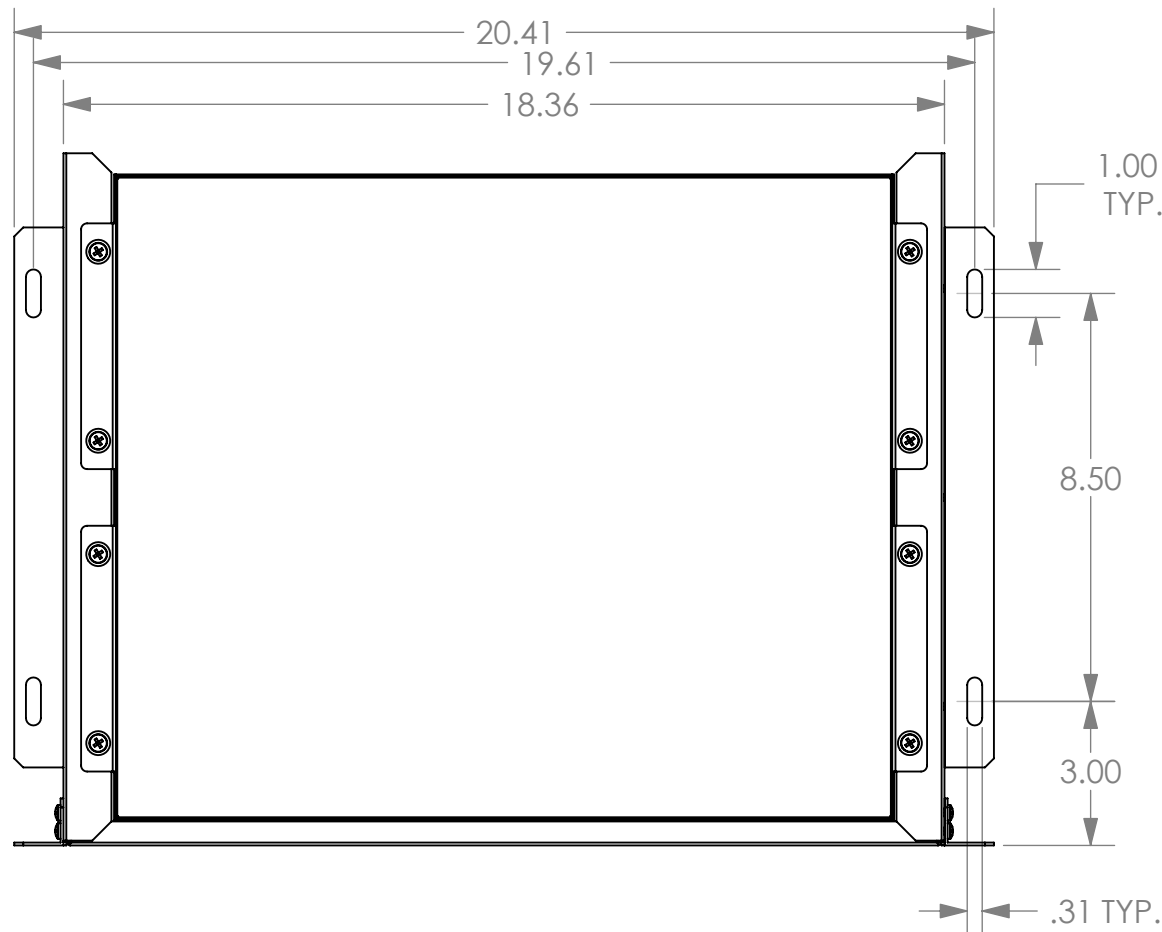
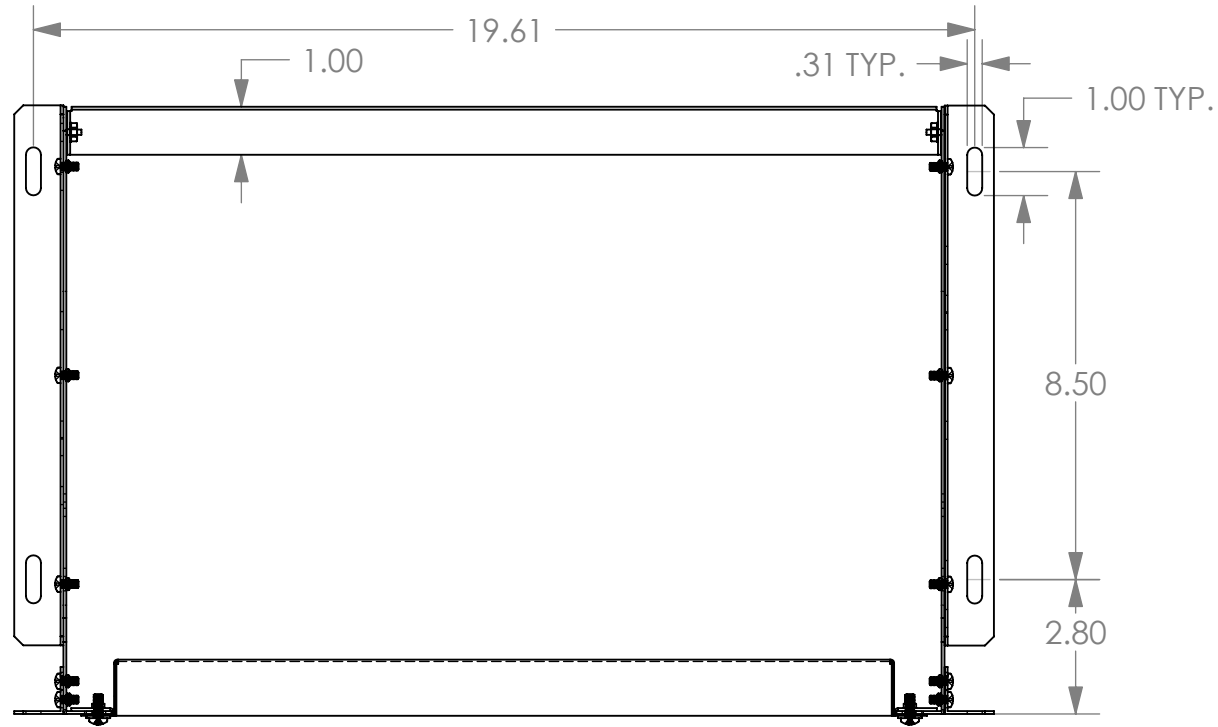
3

4

5

DRAWING NO.  
49-2776-00GA

REV.	ZONE	DESCRIPTION	E.C.N. #	BY	DATE
A	-	INITIAL RELEASE	-	JAR	04/30/07



**SUZO HAPP**<sup>®</sup>

GAMING, AMUSEMENT AND INDUSTRIAL COMPONENTS

DRAWING NAME  
19" LCD REPLACEMENT KIT FOR CRT FRAME

DRAWN BY	JAR	DATE	04/30/07	CHECKED BY		DATE	
SIZE	B	SCALE	1 : 4	DRAWING NO.	49-2776-00GA		REV.
SHEET			1 of 1				A

TOLERANCES ARE:  
FRACTIONS DECIMALS ANGLES  
± 1/32 XX ± .01 ± 0°30'  
XXX ± .005  
UNLESS OTHERWISE SPECIFIED,  
DIMENSIONS ARE IN INCHES.

**DO NOT SCALE DRAWING.**  
THIS PRINT IS THE PROPERTY OF HAPP CONTROLS INC.  
AND SHALL NOT BE REPRODUCED, COPIED NOR DISCLOSED  
TO OTHERS. PRINT TO BE RETURNED UPON REQUEST.

1

2

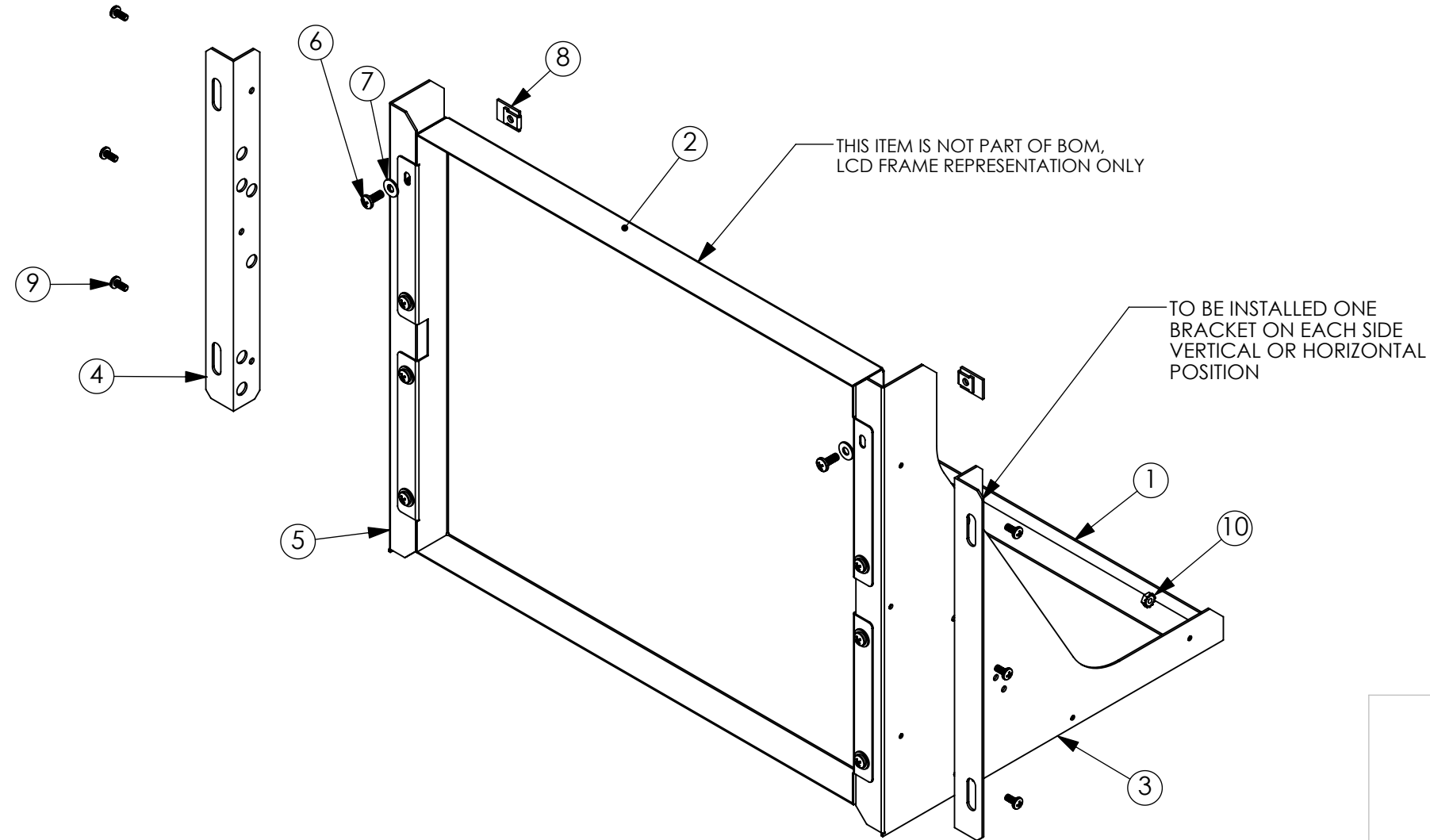
3

4

5

REV.	ZONE		E.C.N. #	BY	DATE
A	-	INITIAL RELEASE	-	JAR	04/30/07
B	-	ADDED INS-160	25071	JAR	08/27/07

ITEM NO.	QTY.	PART NO.	DESCRIPTION
1	1	49-2778-00	BOTTOM BRACKET FOR 19IN LCD FRAME
2	1	19 LCD FRAME (LARGE)	<b>ITEM NOT PART OF BOM</b>
3	1	49-2777-00	RIGHT SIDE BRACKET FOR 19IN LCD FRAME
4	2	49-5023-00	BRACKET WITH SLOTS FOR MONITOR 19" VGA & CGA
5	1	49-2779-00	LEFT SIDE BRACKET FOR 19IN LCD FRAME
6	8	43-0179-00	SCREW, #10-32 x 1/2 PH PN HD
7	8	43-0995-00	#10 FLAT WASHER
8	8	49-2759-00	CLAMP FOR LCD FRAME
9	6	43-1319-00	SCREW 8-32 X 3/8 PPHMS ZINC
10	2	42-0082 00	NUT, KEPS 8-32



**SUZO HAPP®**

GAMING, AMUSEMENT AND INDUSTRIAL COMPONENTS

19" LCD REPLACEMENT KIT FOR CRT FRAME

NOTE:  
INS-160 INSTRUCTION SHEET FOR 49-2776-00, ITEM NOT SHOWN



TOLERANCES ARE:  
DECIMALS ANGLES  
± 1/32 XX ± .01 ± 0°30'  
XXX ± .005  
UNLESS OTHERWISE SPECIFIED,  
DIMENSIONS ARE IN INCHES.

DO NOT SCALE DRAWING.

THIS PRINT IS THE PROPERTY OF HAPP CONTROLS INC.  
AND SHALL NOT BE REPRODUCED, COPIED NOR DISCLOSED  
TO OTHERS. PRINT TO BE RETURNED UPON REQUEST.

DRAWN BY	JAR	DATE	04/30/07	DATE	
SIZE	B	SCALE	1 : 4	REV.	B
		SHEET	1 of 1		